



The APC 5Mi is a small, but robust and high performance 5 GHz access point designed for indoor applications. This product is equipped with an extreme output power (up to 29 dBm) 802.11n MIMO radio which allows communicating effectively older 802.11b/g equipment together with latest standards wireless devices. The APC 5Mi is coupled with an advanced and feature-rich operating system which allows the product to operate as an access point and as a station at the same time,

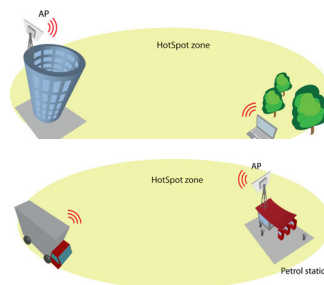
also act as bridge and as router.

The robust software engine running on the APC 5Mi provides a user-friendly Adobe Flex - based GUI with instant changes, includes useful installation tools (Site survey, Antenna alignment, Delayed reboot, spectrum analyzer, ping, traceroute) and also is compatible with Wireless Network Management System for one of the most advanced management tools on the market.

Usage examples

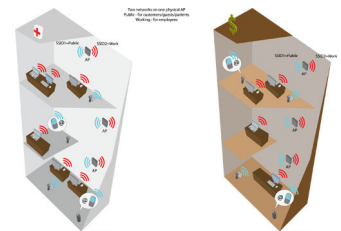
Hotspot

Deliberant APC 5Mi is an ideal device for hotspot applications working as indoor AP or with an external outdoor antenna.



Enterprise AP

APC 5Mi is a carrier-grade feature rich device that can work as an enterprise access point allowing to configure multiple SSIDs and many more.



Wireless

WLAN standard	IEEE 802.11 a/n
Radio mode	MIMO 2x2
Operating modes	Access point (auto WDS), Station, Station WDS, iPoll Access Point, iPoll Station
Radio frequency band	5 GHz
Transmit power	Up to 29 dBm (country dependent)
Receive sensitivity	Varying between -95 and -75 dBm depending on modulation
Channel size	20, 40 MHz
Modulation schemes	802.11 a/n: OFDM (64-QAM, 16-QAM, QPSK, BPSK)
Data rates	802.11 n: 300, 270, 240, 180, 120, 90, 60, 30 Mbps 802.11 a: 54, 48, 36, 24, 18, 12, 9, 6 Mbps
Error correction	FEC, Selective ARQ, STBC
Duplexing scheme	Time division duplex

Receive sensitivity (dBm)	802.11 N/ iPoll	15 Mbps	30 Mbps	45 Mbps	60 Mbps	90 Mbps	120 Mbps	135 Mbps	150 Mbps
		-93	-91	-89	-86	-83	-79	-77	-75
		30 Mbps	60 Mbps	90 Mbps	120 Mbps	180 Mbps	240 Mbps	270 Mbps	300 Mbps
		-93	-91	-89	-86	-83	-79	-77	-75
802.11a	6 Mbps	9 Mbps	12 Mbps	18 Mbps	24 Mbps	36 Mbps	48 Mbps	54 Mbps	
	-95	-94	-92	-90	-87	-84	-79	-77	

Output power (dBm)	802.11 N/ iPoll	15 Mbps	30 Mbps	45 Mbps	60 Mbps	90 Mbps	120 Mbps	135 Mbps	150 Mbps
		29	29	29	29	28	28	27	27
		30 Mbps	60 Mbps	90 Mbps	120 Mbps	180 Mbps	240 Mbps	270 Mbps	300 Mbps
		29	29	29	29	28	28	27	27
802.11a	6 Mbps	9 Mbps	12 Mbps	18 Mbps	24 Mbps	36 Mbps	48 Mbps	54 Mbps	
	29	29	29	29	28	28	27	25	

Antenna

Type	2 x external omni-directional antenna
Gain	5 dBi

Wired

Interface	10/100 Base-T, RJ45
Built-in surge protection	Yes

Networking

Operating modes	Bridge, Router
WAN	Static IP, DHCP client, PPPoE client
NAT	Routing w/ or w/o NAT
Static routing	Supported
DHCP	Client, Server, Relay
Port forwarding	Supported
VLAN	Supported for management and data

Software

General	Ability to define/limit frequency, channel width, EIRP, modulation
Advanced wireless functionality	ATPC (automatic transmit power control), DFS 3, auto-channel, auto-modulation,
Operating mode	Router, Bridge
Wireless operating modes	AP, Station, AP WDS, Station WDS, Virtual radios (VSSID), iPoll access point, iPoll client
Wireless security	WPA/WPA2 Personal, WPA/WPA2 Enterprise, WACL, User isolation, UAM (web portal authentication)
Wireless QoS	WMM
WAN protocols	Static IP, DHCP client, PPPoE client
Network	NAT, static routing, firewall, port forwarding, VLAN, traffic shaping
Services	DHCP server, SNMP server, NTP client, Alerts, Remote syslog, Wireless and Ethernet statistics, bandwidth limiting
Management	HTTP(S) GUI, SSH CLI, SNMP read, WNMS, troubleshooting file, reset via reset tool
Tools	Site survey, Link test, Antenna alignment, Ping, Traceroute, Spectrum analyzer, delayed

Physical

Dimensions	Length 123 mm (4.8 "), width 85 mm (3.3 "), height 20 mm (0.78 ")
Weight	280 g (9.8 oz)
Power supply	12 - 48 V DC passive PoE
Power source	100 - 240 VAC via included adapter
Power consumption	6.5 W

Environmental

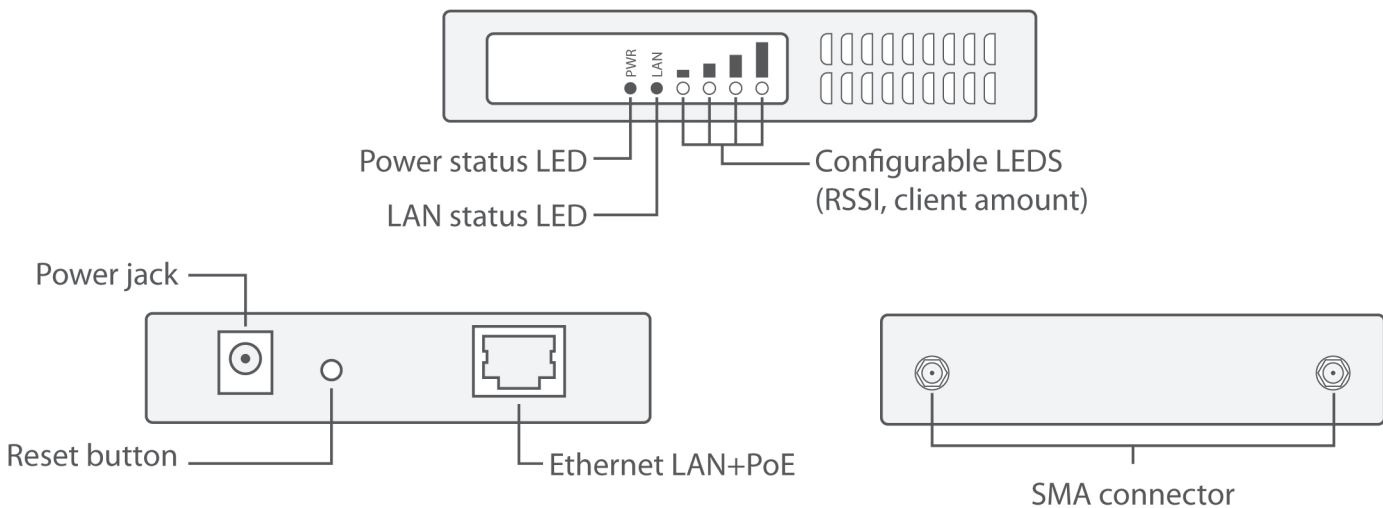
Operating temperature	-20°C (-4 F) ~ +55°C (+131 F)
Humidity	0 ~ 90 % (non-condensing)

Management

System configuration	User-friendly web GUI, Command line via SSH, centralized Wireless Network Management System, reset via reset tool
System monitoring	SNMP v1/2c/3 server, Syslogs, system alerts via e-mail and SNMP trap

Regulatory

Certification	FCC/CE (*pending)
Safety	RoHS compliant



*Note: This product has not been authorized by the rules of the Federal Communications Commission. This product may not be sold or leased, or offered for sale or lease, in the United States, until authorization has been obtained.



www.deliberant.com

Copyright © 2011 Deliberant LLC. All rights reserved. Deliberant, the Deliberant logo, are trademarks of Deliberant LLC. All other company and product names may be trademarks of their respective companies. While every effort is made to ensure the information given is accurate, Deliberant does not accept liability for any errors or mistakes which may arise. Specifications and other information in this document may be subject to change without notice.



To learn more about Deliberant products, visit www.deliberant.com.