

## Mimosa Gigabit PoE (Wall-Plug)



MSRP: \$9.99 US

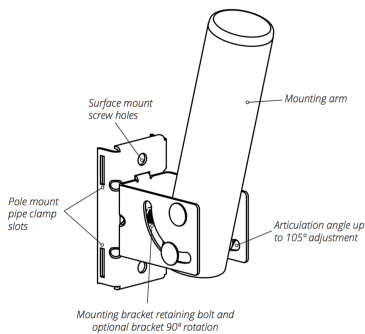
Description: Compact wall plug Gigabit 48V Passive power over Ethernet injector.

## FlexiMount



MSRP: \$6.99 US

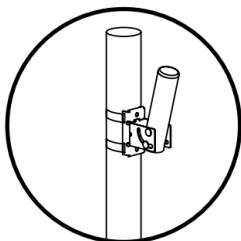
Description: Flexible Pole and Surface Mount. Our most flexible, compact mount available, allowing attachment to any vertical or other angled pole, or any flat surface.



Mounting Options: Pole Mount with two pipe clamp or Surface Mount with two screw hole points.

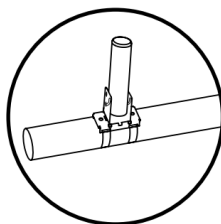
### Vertical Poles

The FlexiMount comes assembled ready for vertical pole configurations, using the indicated pipe clamp slots in the diagram above.



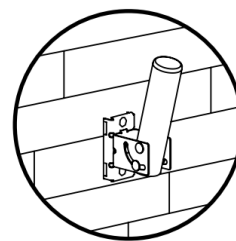
### Angled and Flat Poles

The FlexiMount can be mounted in any orientation on angled and flat poles. To pivot the articulation direction, rotate the mounting base axis in 90° constraints to achieve the desired orientation.

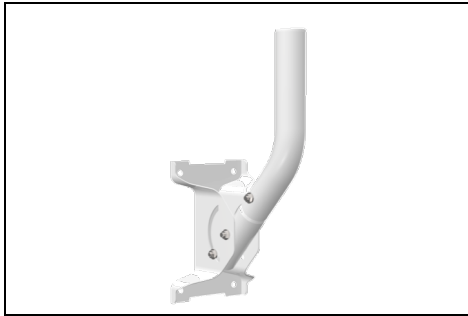


### Flat Surfaces

The FlexiMount includes two (2) convenient mounting screw hole points, allowing mounting to any vertical, sloped or horizontal surface.

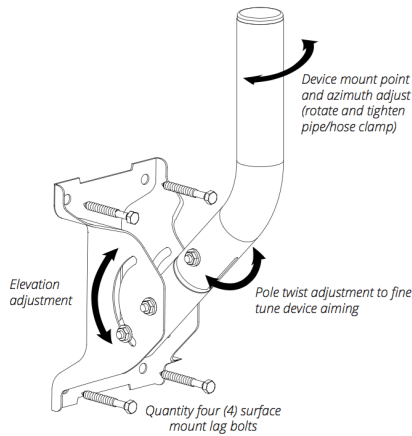


## J-Mount



MSRP: \$9.99 US

Description: Advanced J-Mount Pole. Our twist on the J-Mount, giving an extra axis of rotation to align the C5 and keep it level to the horizon.



## Mimosa Gigabit Network Interface (NID)



MSRP: \$9.99 US

Description: Outdoor technician access, ESD protection and grounding point. Easy to install technician physical access interface, with surge protection and grounding point, required for C5 installation.

